

69 NORMAL HEADROOM HOIST NB, REEVING: 02

Hoisting speed (m/min)

Load kg	Class Fem/ISO	F gear + P1/T1 motor		F gear + P2/T2 motor		G gear + P2/T2 motor		H gear + P3/T3 motor	
		High	Low	High	Low	High	Low	High	Low
800	3m/M6	10	1,7	10	1,7	12,5	2,1	16	2,7
1000	2m/M5	10	1,7	10	1,7	12,5	2,1	16	2,7
1250	3m/M6	-	-	10	1,7	12,5	2,1	16	2,7
1600	2m/M5	-	-	10	1,7	12,5	2,1	16	2,7

Hoist dimensions

HOL m	Length code	M1 mm	H2 mm	Weight kg
12	A	431	90	250
19	C	561	144	270

Motor dimensions

Motor	P1	P2	P3	T1	T2	T3
M2 (mm)	498	558	588	498	498	498
Weight (kg)	21	31	35	22	22	22

Trolley dimensions

B min.	B max.	C	D1(Ø)	D2(Ø)	H1						
100	450	740	63	100	200						
L1	L2	L3	L4	L5	L6	L7	L8	L9	L10	L11	L12
17	506	161	456	103	28	45	40	150	376	531	636
L13	L14	L15	L16								
433	531	311	1060								

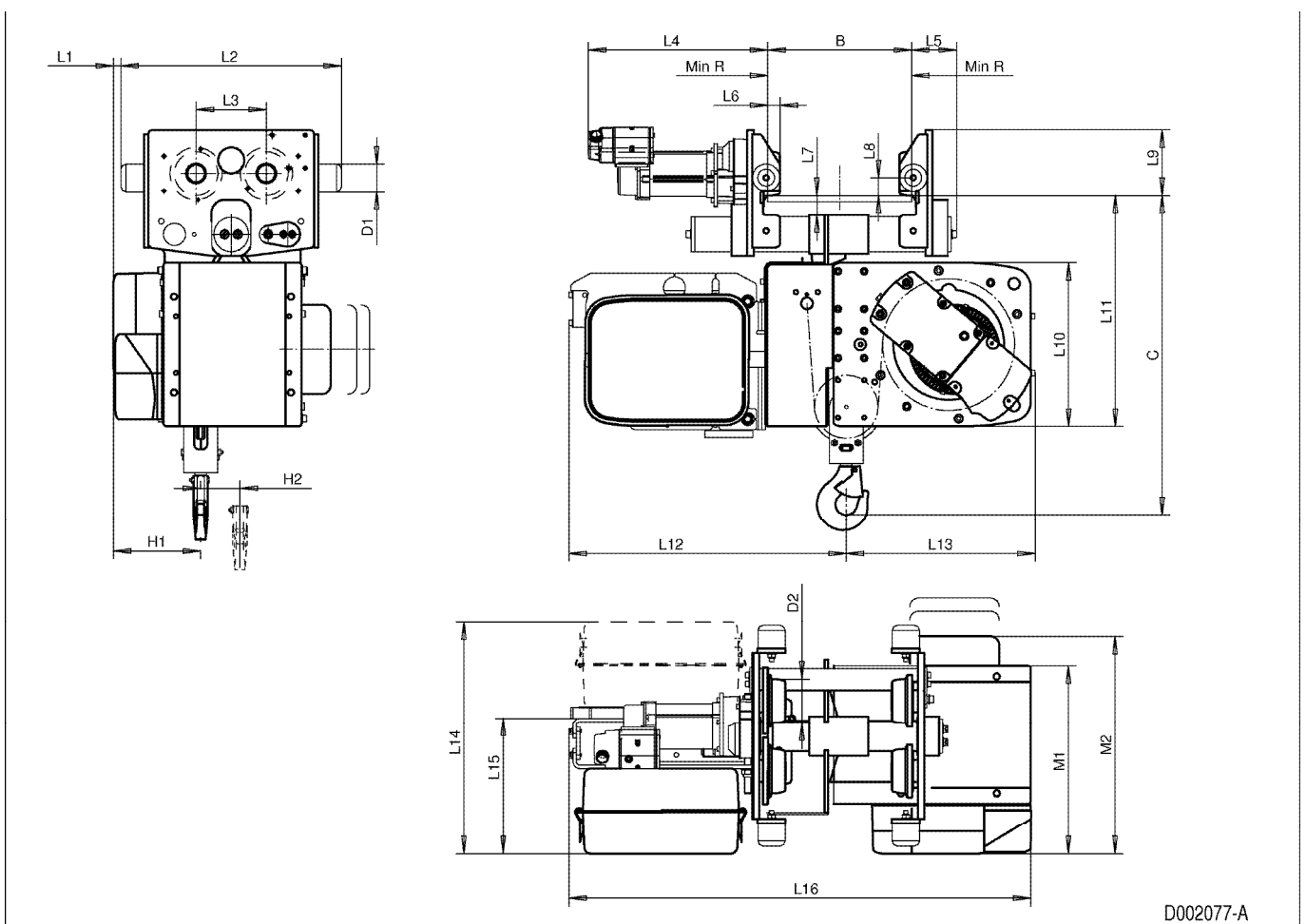
D002077_A
062129

Minimum track radius

B	Min R
100 - 109	2500
110 - 119	2000
120 - 450	1500

Note: Weight calculated with P1 motor.

Note: All dimensions in mm.



D002077-A