

28 DOUBLE GIRDER HOIST NE, REEVING: 06

Hoisting speed (m/min)

Load kg	Class Fem/ISO	E gear		F gear		G gear		H gear		J gear	
		High	Low	High	Low	High	Low	High	Low	High	Low
		2,5	0,4	3,2	0,5	4	0,7	5	-	6,3	-
20000	3m/M6	P6/T6 motor		P6/T6 motor		P7/T7 motor		T8 motor		T9 motor	
25000	2m/M5	P6/T6 motor		P6/T6 motor		P7/T7 motor		T8 motor		T9 motor	
30000	1Am/M4	P6/T6 motor		P7/T7 motor		P8/T8 motor		T9 motor		TA motor	

Hoist dimensions

HOL m	Length code	M1 mm	M3 mm	H1 mm	H2 mm	Min R mm	Max R mm	Weight kg
5	C	462	658	678	46	1400	2400	2050
7	D	562	784	810	63	1700	2400	2140
9	E	682	784	810	84	1700	3100	2190
12	F	832	934	936	107	2000	3800	2310
15,5	G	1022	1144	1117	140	2400	4200	2460
20	H	1272	1480	1424	182	3100	4200	2750
26,5	J	1622	1544	1543	240	3400	4200	3080
32	K	1922	1970	1944	289	4200	4200	3320

Motor dimensions

Motor	P6	P7	P8	T6	T7	T8	T9	TA
M2 (mm)	536	576	711	536	536	536	536	576
Weight (kg)	85	105	106	65	71	81	92	106

Trolley dimensions

C	D1 (Ø)	D2 (Ø)	D3 (Ø)	WB	WW min	WW max					
1062	230	200	80	1400	55	100					
L1	L2	L3	L4	L5	L6	L7	L8	L9	L10	L11	L12
428	400	187	514	123	27	1826	702	605	88	713	687
L13	L14	L15	L16	L17	L18	L19	L20				
953	900	218	213	900	186	255	213				

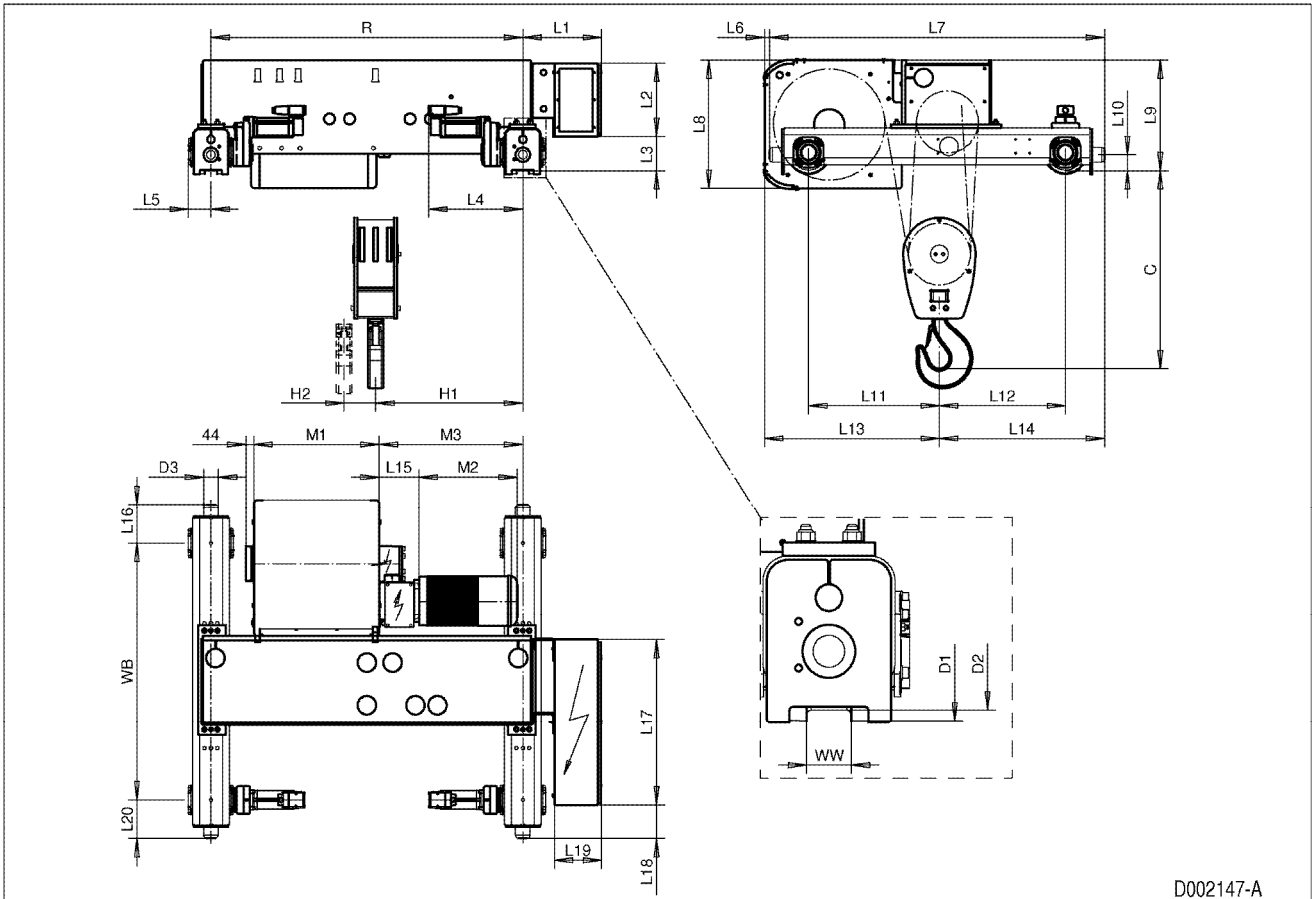
D002147_A
005042

Note: Weight calculated with P6 motor.

Note: All dimensions in mm.

Note: Standard rail gauges: 1400, 1700, 2000, 2400, 2700, 3100, 3400, 3800 and 4200.

Note: H1, M3 and weight calculated with min R.



D002147-A