

23 DOUBLE GIRDER HOIST ND, REEVING: 2 X 04

Hoisting speed (m/min)

Load kg	Class Fem/ISO	F gear + P5/T5 motor		H gear + P6/T6 motor		J gear + P7/T7 motor	
		High	Low	High	Low	High	Low
8000	3m/M6	5	0,8	8	1,3	10	1,7
10000	2m/M5	5	0,8	8	1,3	10	1,7

Hoist dimensions

HOL m	Length code	M1 mm	M2 mm	H1 mm	Min R mm	Weight kg
4	D	697	279	703	1400	780
6,5	E	817	217	705	1400	840
9	F	967	292	853	1700	850
12,5	G	1157	197	855	1700	910
16,5	H	1407	255	1034	2000	940
23	J	1757	280	1234	2400	1045

Motor dimensions

Motor	P5	P6	P7	T5	T6	T7
M3 (mm)	728	722	762	728	722	722
Weight (kg)	58	85	105	45	65	71

Trolley dimensions

C	D1 (Ø)	D2 (Ø)	D3 (Ø)	WB	WW min	WW max					
801	110	140	63	1000	50	75					
L1	L2	L3	L4	L5	L6	L7	L8	L9	L10	L11	L12
382	470	400	15	98	320	22	1296	510	420	100	500
L13	L14	L15	L16	L17	L18	L19	L20	L21			
500	648	648	722	148	88	900	148	255			

D002135_A
005030

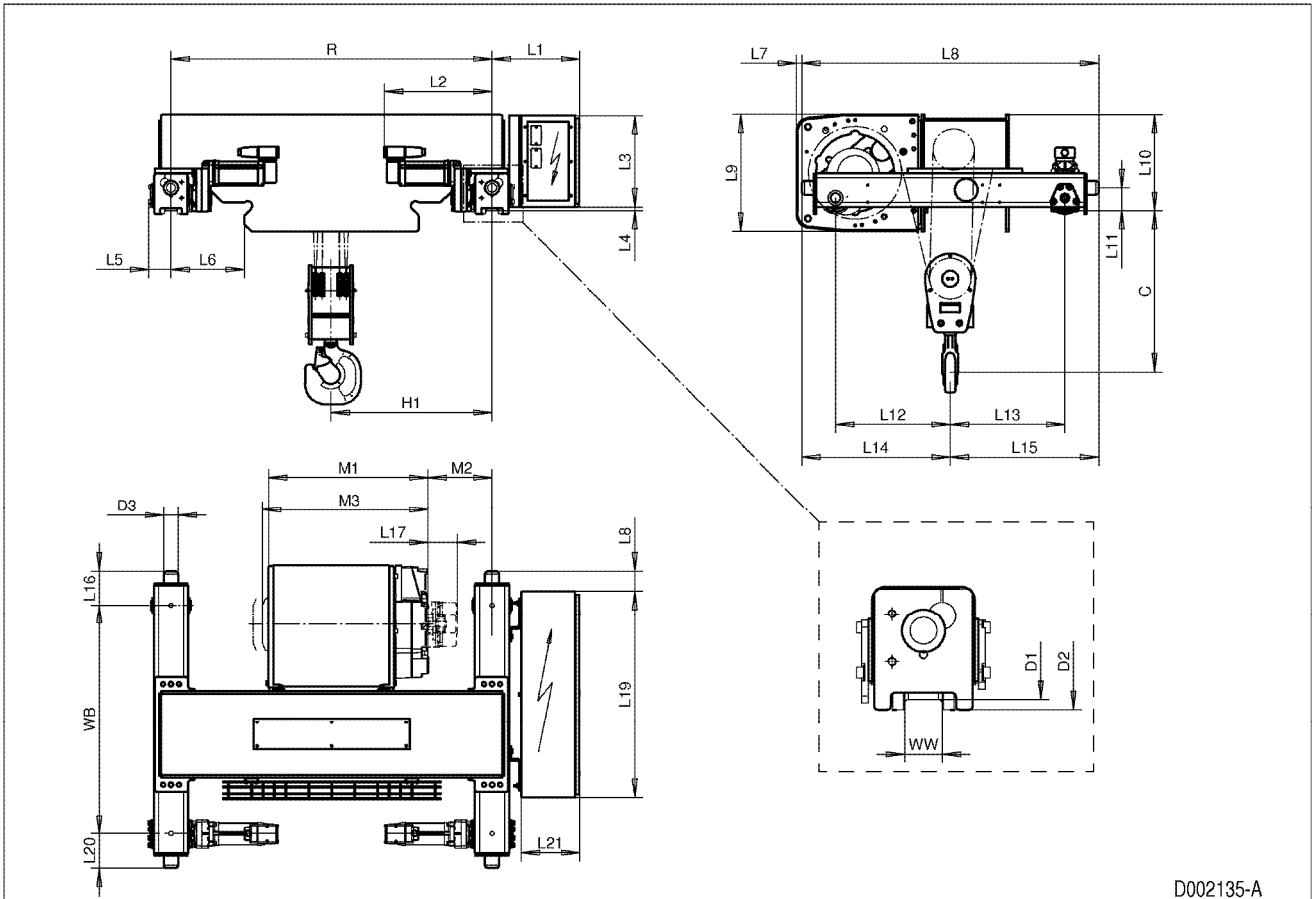
Note: Weight calculated with P5 motor.

Note: All dimensions in mm.

Note: Min R with service platform and second brake.

Note: Standard rail gauges: 1400, 1700, 2000 and 2400.

Note: Gear brake as standard brake for drum lengths H and J.



D002135-A