

21 DOUBLE GIRDER HOIST ND, REEVING: 08

Hoisting speed (m/min)

Load kg	Class Fem/ISO	F gear + P5/T5 motor		H gear + P6/T6 motor		J gear + P7/T7 motor	
		High	Low	High	Low	High	Low
16000	2m/M5	2,5	0,4	4	0,7	5	0,8
20000	1Am/M4	2,5	0,4	4	0,7	5	0,8

Hoist dimensions

HOL m	Length code	M1 mm	M2 mm	H1 mm	H2 mm	Min R mm	Weight kg
4,5	D	682	480	668	44	1400	780
6	E	802	630	818	53	1700	825
8	F	952	770	948	76	2000	860
10	G	1142	970	1148	98	2400	890

Motor dimensions

Motor	P5	P6	P7	T5	T6	T7
M3 (mm)	728	722	762	728	722	722
Weight (kg)	58	85	105	45	65	71

Trolley dimensions

C	D1 (Ø)	D2 (Ø)	D3 (Ø)	WB	WW min	WW max					
865	140	170	63	1000	50	85					
L1	L2	L3	L4	L5	L6	L7	L8	L9	L10	L11	L12
470	382	400	18	100	230	52	1326	510	423	100	500
L13	L14	L15	L16	L17	L18	L19	L20				
500	715	663	163	103	900	255	163				

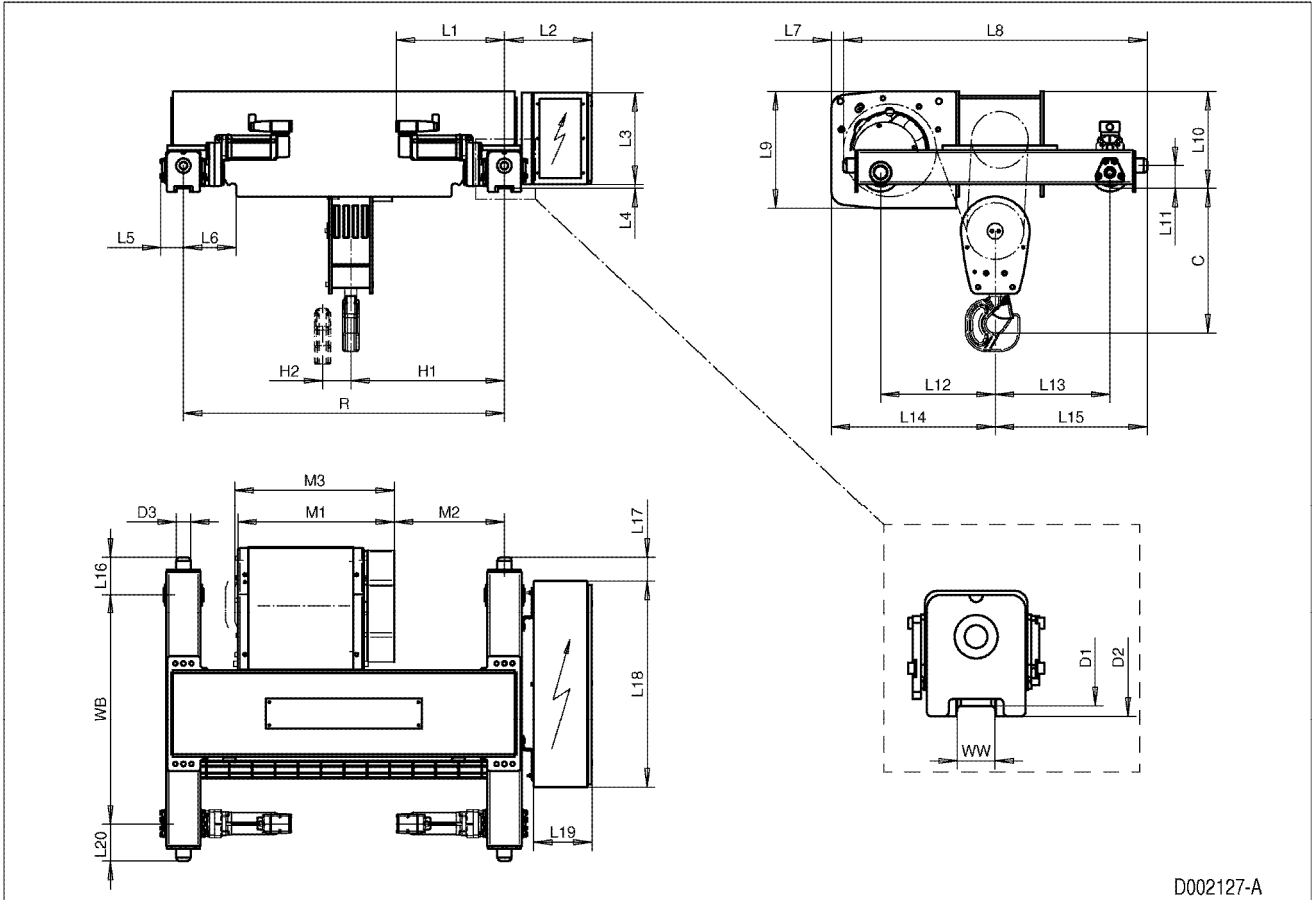
D002127_A
005026

Note: Weight calculated with P5 motor.

Note: All dimensions in mm.

Note: Min R with service platform and second brake.

Note: Standard rail gauges: 1400, 1700, 2000 and 2400.



D002127-A